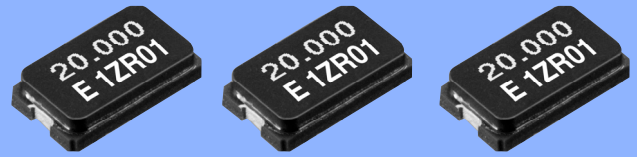


MHz RANGE CRYSTAL UNIT LOW PROFILE SMD

FA-365

- Frequency range : 12 MHz, 14 MHz to 41 MHz
- Thickness : 1.4 mm Max.
- Overtone order : Fundamental
- Applications : For Clock of integrated circuit
- Lead(Pb)-free : Contains Pb in sealing glass exempted by RoHS directive.



Actual size

Specifications (characteristics)

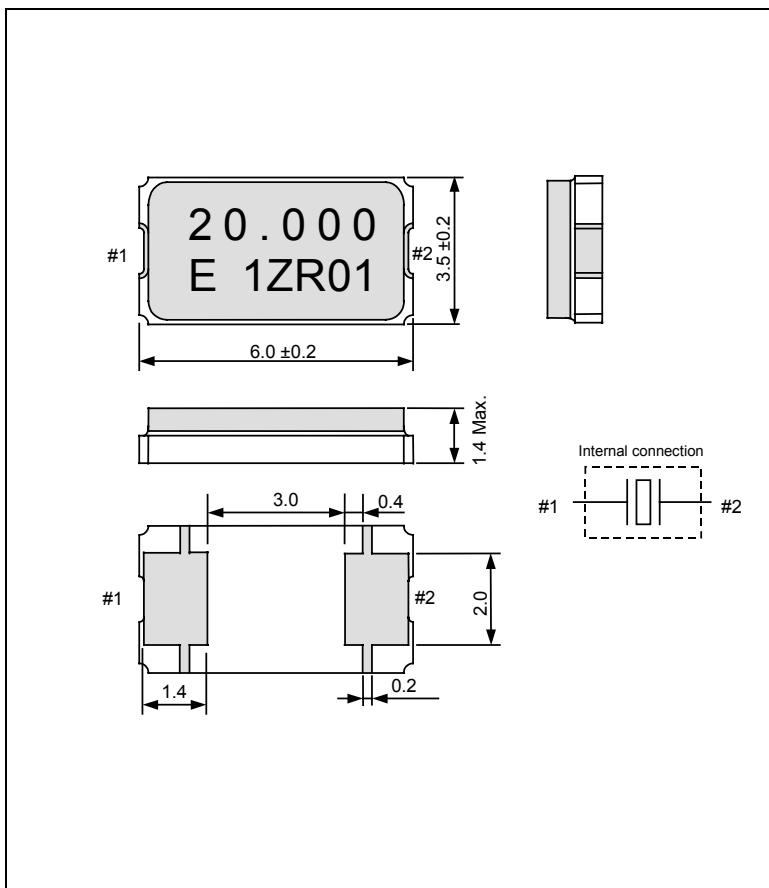
Item	Symbol	Specifications	Remarks	
Nominal frequency range	f	12.000 MHz, 14.000 MHz to 41.000 MHz	Fundamental	
Temperature range	Storage temperature	T_stg	-55 °C to +125 °C	Stored as bare product after unpacking
	Operating temperature	T_use	-20 °C to +70 °C	Please contact us on availability of -40 °C to +85 °C
Level of drive	DL	10 μW to 100 μW		
Frequency tolerance (standard)	f_tol	$\pm 50 \times 10^{-6}$, $\pm 100 \times 10^{-6}$	+25 °C	
Frequency versus temperature characteristics (standard)		$\pm 30 \times 10^{-6}$	-20 °C to +70 °C For the out of standard specifications, please contact us for inquires	
Load capacitance	CL	10 pF to ∞	Please specify	
Motional resistance (ESR)	R1	As per below table	-20 °C to +70 °C, DL=100 μW	
Frequency aging	f_age	$\pm 5 \times 10^{-6}$ / year Max.	+25 °C, First year	

Motional resistance (ESR)

Frequency	Motional resistance
12.0 MHz	60 Ω Max.
14.0 MHz ≤ f ≤ 41.0 MHz	50 Ω Max.

External dimensions

(Unit:mm)



Footprint (Recommended)

(Unit:mm)

